

ATC Electrical & Mechanical

ATC House Broomhill drive

Tallaght

Ireland

Tel: (IE) +353 (01) 4678301

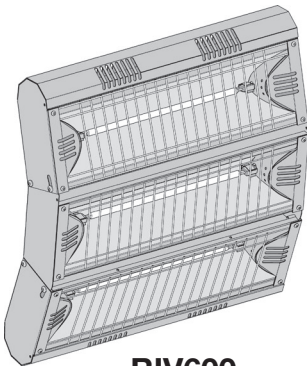
Tel: (UK) +44 (0203) 564 9164

Fax: +353 (01) 4520887

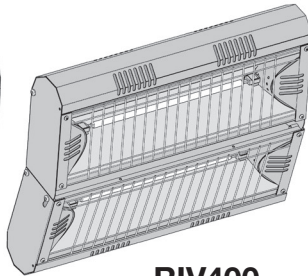
Email: sales@atc.ie

atc.ie
atcelec.co.uk

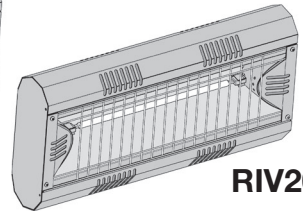
ATC RIVIERA INFRA RED RADIANT HEATERS



RIV600



RIV400



RIV200

INSTALLATION, OPERATION AND MAINTENANCE MANUAL



USE & MAINTENANCE

IMPORTANT INFORMATION

These Instructions should be carefully read before installation and retained by the user. This booklet must be retained and delivered to the new user in case of sale of the heater.

This manual is also available on the websites www.atc.ie and www.atcelec.co.uk

1. This appliance is intended solely for the use it has been designed for, namely the achievement and maintenance of a thermal comfort for the people by means of irradiation on them. The product can also be used to heat indoor environments but only when using a temperature controller - sold by others. The Manufacturer is not responsible for any damage that could result from improper use or not following these instructions.
2. After unpacking make sure that the appliance is complete and shows no signs of visible damage or tampering.
3. The packing materials which are potential dangerous, should be kept away from children.
4. The device can be used by children at least 8 years (as well as by persons with reduced physical, sensory or mental capabilities, or lack of experience or required knowledge) provided that they are under surveillance, or after they have been instructed relating to the safe use and have understood the potential dangers. Children should not play with the appliance. Cleaning and maintenance must be performed by the user and not by unsupervised children.
5. Children of less than 3 years should be kept away unless continuously supervised.
6. Children aged from 3 years and less than 8 years shall only switch on/off the appliance provided that it has been placed or installed in its intended normal operating position and they have been given supervision or instruction concerning use of the appliance in a safe way and understand the hazards involved.
7. Children aged from 3 years and less than 8 years shall not plug in, regulate and clean the appliance or perform user maintenance.
8. This appliance is not intended for use by persons (including children) with reduced physical, sensory or mental capabilities, or lack of experience and knowledge, unless they have been given supervision or instruction concerning use of the appliance by a person responsible for their safety.
9. Children should be supervised to ensure that they do not play with the appliance.
10. Do not use the heater in small rooms used by people who are unable to leave such rooms on their own unless they are under constant surveillance. Unless the heating system has a feature to control the temperature or an external device to control the ambient temperature.
11. Before wiring the heater make sure that the voltage is the same as indicated on the device rating plate.
12. Do not use in presence of gas, inflammable or explosive liquids or substances.
13. Some fundamental rules which apply to all electrical devices must be observed

when using the heater:

- Do not touch the heater with wet hands.
 - Do not handle with bare feet.
 - Do not pull the electric cord or the device itself to unplug it from the socket; pull the plug directly.
14. Avoid the use of an extension cord with this product, because the extension cord may overheat and cause a risk of fire.
 15. Do not apply any modification to the product that could compromise the safety.
 16. Keep connections dry.
 17. If the appliance is not used for a long period, disconnect it from the power supply.
 18. Always disconnect the appliance before doing any maintenance operation.



Some parts of the appliance may become hot and cause burns.
Warning *Caution should be exercised if there are children and vulnerable people.*

2. CAUTION REGARDING THE INSTALLATION OF THE APPLIANCE

Installation should always be carried out by a qualified electrician or a competent person in accordance with the standards HD 384 CENELEC for Europe, or international IEC 60346-7-708 1988.

The energy supply must be made through a properly grounded socket. The appliance must be connected to the power supply by a H05RN-F cable, gotten properly into dimension in respect to its own length and the kind of the connection.



An over-voltage category III Combined Circuit breaker and Residual Current Device (RCD) with rated earth leakage operation not exceeding 30mA must be fitted upstream on the supply line. The circuit breaker must have a contact opening distance of at least 3mm.

The appliance has a protection rating of IP55, so it can be used outside.

- Keep the indicated distances between the heater and the wall/ceiling (fig. 1-2-3).
- Install the heater in such a way that the lamps stay horizontal.
- A safety distance of not less than 1 meter should always be left in front of the heater.
- The appliance must not be located either directly below, or in front of a socket-outlet.
- Do not use the heater directly near a bathtub, a shower, a swimming pool.
- Ensure that the power cable cannot come into contact with the reflector of the appliance and does not intrude into the area of heat output.
- Ensure that there is no possibility of inflammable material, combustible material or curtains coming into contact with the Heater, or stored near the heater.

All infra red radiation heaters are designed to achieve and maintain a certain thermal comfort to the people who need it both outside and inside. It is therefore very important to carefully study the area where people stay and consequently direct the radiation towards them.

Wall mounting using the bracket (provided)



Make sure that the wall where you plan to mount the appliance is solid, and free of electrical cables or water pipes inside.

This heater is intended for permanent installation. Be sure that the heater is not facing the ceiling or inflammable substances.

Fasten the bracket to the wall using at least 4 points of attachment, passing through the “**A**” holes (fig. 1).

Use the **B** holes just as reference (fig. 1).

The heater can be angled on its bracket using the **C** screw. Individual modules can be angled using the **D** screws (fig. 2).

Once adjustment has been made, tighten all the screws.

Ceiling mounting with chains (not provided)

Fasten the chains (of the correct length) to the ceiling, and attach them to the heater using the “S” shaped hooks included with the packaging. Pass the S hook through the holes marked **E** (fig. 3).

3. TECHNICAL FEATURES

The Riviera infra red heater range is made up of appliances having one, two, or three, 2000 Watt heating modules.

Model	RIVIERA 2000w RIV200	RIVIERA 4000w RIV400	RIVIERA 6000w RIV600
Power supply	220-240 V ~ 50-60 Hz	220-240 V ~ 50-60 Hz	220-240 V ~ 50-60 Hz 1P or 380-415 V ~ 50-60 Hz 3P+N
Power	1 x 2000 W	2 x 2000 W	3 x 2000 W
Current	9 A	18 A	27 A or 3 x 9 A
Lamps (IR-A)	1	2	3
Coverage	9-12 m ²	12-16 m ²	16-20 m ²
Weight	2.2 kg	3.0 kg	3.8 kg
Dims. (HxWxD)	235 x 496 x 313mm	375 x 496 x 313mm	515 x 496 x 313mm
Cable (min. cross section)	3 x 1.5 mm ²	3 x 2.5 mm ²	3 x 6 mm ² or 5 x 1.5 mm ²

4. USE INSTRUCTIONS

The Riviera infra red heater was designed for zone heating on large premises. Production departments, churches and gymnasiums are ideal application sites. With high efficiency and heat from long distances, a compact size and light weight: a wide range on installations can be easily made. The comfort is immediate, no preheating is necessary and this can give a large cost saving on large air volume spaces or where occupancy is not continuous. Radiant heating gives a pleasant comfort and in absolute silence without any moving

parts or air movement.

- Switch on the heater simply by connecting to the power supply.
- Do not touch any metallic parts of the heater when it is working.
- Ensure that the output of the heater is directed towards the area to heat. If necessary, change the angle of inclination by adjusting the support or the angle of the individual modules.
- In unoccupied premises it is recommended that the heating system is switched off by disconnecting from the electrical supply.



*Avoid exposing skin to the rays of the appliance at distances less than 50cm.
Avoid looking into the rays of the appliance at distances less than 2.70m.
All users should be made aware of all aspects of operation and safety and these instructions should be retained for reference.*

5. MAINTENANCE

The Riviera Infra red Heaters contain no moving parts and therefore very little maintenance is required other than to ensure that there is no excessive build-up of dust/dirt on the reflectors or lamps as this can cause overheating and premature lamp failure. To clean the appliance, wipe off with a damp cloth. Wait until it is completely dry before re-connecting to the power supply.

6. LAMP REPLACEMENT

The Lamps used in the Riviera Infra red heaters are robust and if knocks and shock vibrations are avoided, they will last for around 3000 hours. The lamps should be replaced after this time; before if there are signs of aging.

To replace the lamp, have a qualified electrician remove the heater and replace the lamp or lamps and reinstall the heater after lamps have been replaced.

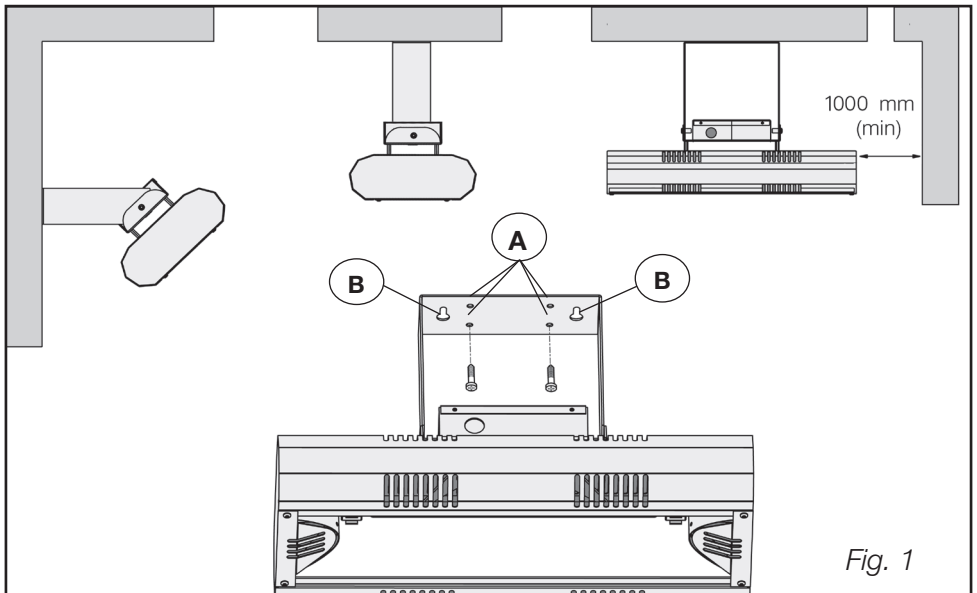
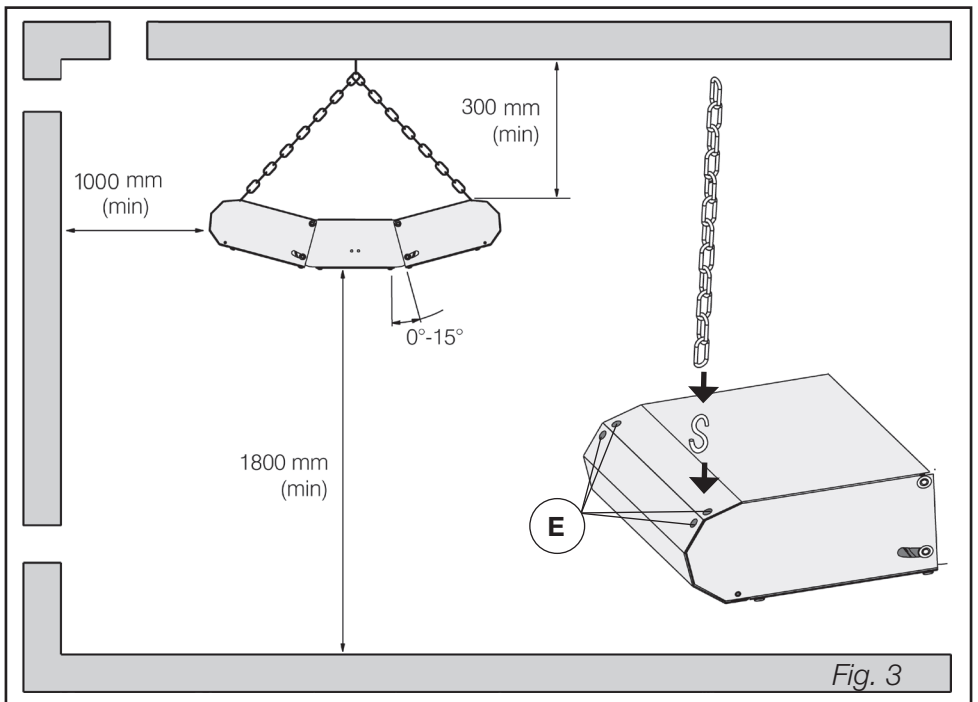
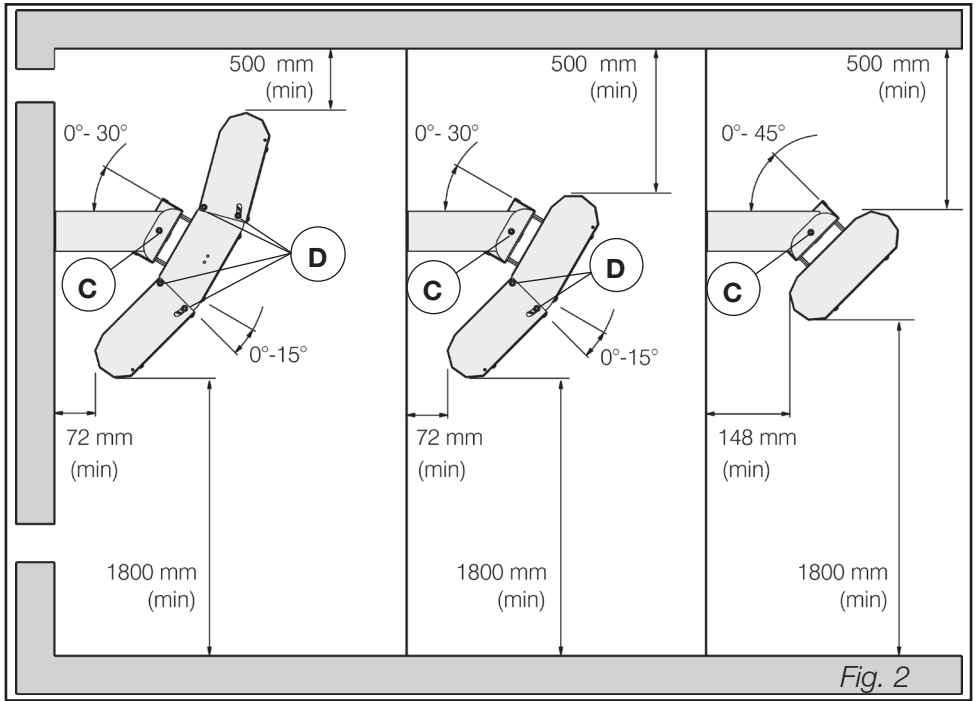


Fig. 1

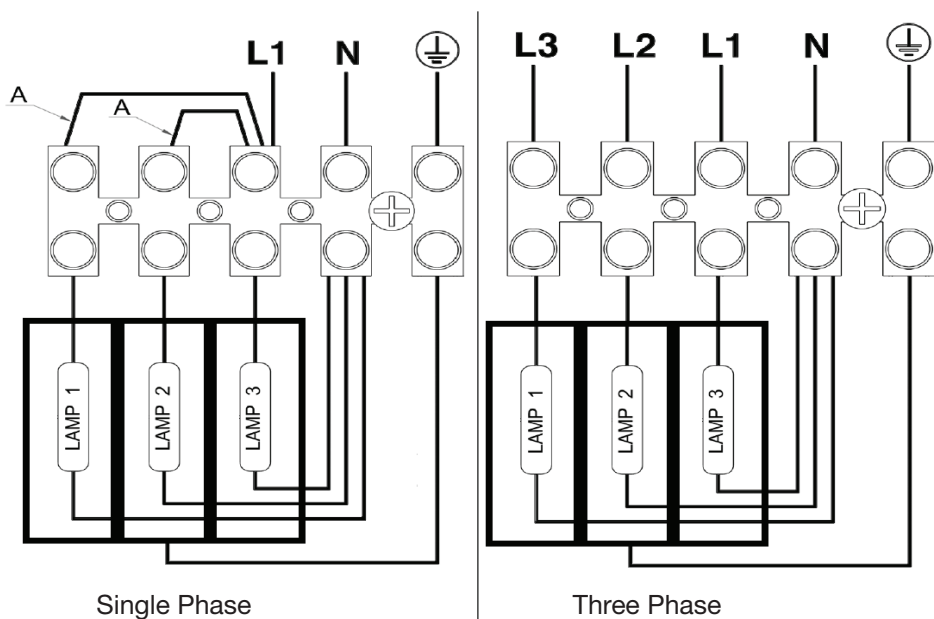


SPECIFIC INFORMATION FOR RIV600

The Riviera RIV600 is already arranged to be connected to the mains supply both by single phase and three phase connection (3 phase + neutral + ground):

To carry out a single phase connection, connect the phase leads, neutral and ground to the poles of the terminals as respectively marked L1-N-Earth. Use a cable H07RN-F 3x6mm².

To carry out a three phase connection, remove the wires marked as "A" (below) and connect the 3 phases, neutral and ground to the poles of the terminals as respectively marked L3-L2-L1-N-Earth. Use a cable H07RN-F 5x1.5mm².



GUARANTEE

Your appliance is guaranteed for 2 years from the date of purchase – during this period we will repair or exchange, at our discretion, any faulty or defective parts providing the appliance has been used in accordance with the operating & installation instructions and has not been misused or mistreated in any way.

**LAMPS ARE NOT COVERED UNDER THE MANUFACTURERS GUARANTEE.
LAMPS ARE A CONSUMABLE ITEM.**

Any un-authorized repair or attempted repair will invalidate the guarantee. You may be asked to return the product to our workshop for inspection to establish

whether the fault is covered under the guarantee.

The guarantee is valid in the UK and Ireland only.

This guarantee is additional to your statutory rights.

In the unlikely event of a problem with your appliance please contact your supplier.

**IMPORTANT INFORMATION CONCERNING THE ENVIRONMENTALLY
COMPATIBLE DISPOSAL OF THE APPLIANCE**

This product conforms to EU Directive 2002/96/EC.

This appliance bears the symbol of the barred waste bin. This indicates that, at the end of its useful life, it must not be disposed of as domestic waste, but must be taken to a collection centre for waste electrical and electronic equipment, or returned to a retailer on purchase of a replacement.

It is the user's responsibility to dispose of this appliance through the appropriate channels at the end of its useful life. Failure to do so may incur the penalties established by laws governing waste disposal.

Proper segregated collection, and the subsequent recycling, processing and environmentally compatible disposal of waste equipment avoids unnecessary damage to the environment and possible related health risks, and also promotes recycling of the materials used in the appliance.

For further information on waste collection and disposal, contact your local waste disposal service, or the shop from which you purchased the appliance.

Manufacturers and importers fulfil their responsibilities for recycling, processing and environmentally compatible disposal either directly or by participating in collective systems.



**Head Office & Energy
Showrooms:**

ATC House, Broomhill Drive,
Tallaght, D24 EF99
Ireland.

Tel: 353 (1) 467 8301

atc.ie
atcelec.co.uk

UK Tel: 0044 (0)203 5649164
Email: sales@atc.ie